

INSTALLATION INSTRUCTIONS

DESCRIPTION: Soft Side Cover Kit
 PART NUMBER: B5H-F17B0-V0
 MODEL: 19'~ YXZ1000R



⚠ WARNING

Please read and understand these instructions completely before installation to avoid possible injury, or damage to the accessory or vehicle.

- This weather enclosure is not intended to prevent injury during collisions or rollovers.

NOTICE:

- This installation requires a drill, a 3mm bit, a torque wrench, and pop rivet gun. Installation should be performed by an authorized Yamaha dealer or qualified technician.
- Do not tow the vehicle on an open trailer with this accessory installed, as the accessory is not designed for use at highway speeds.

WARRANTY INFORMATION:

In the United States, see your Yamaha dealer for a copy of the Genuine Yamaha Parts and Accessories Limited Warranty statement.

DEALER OR INSTALLER:

These instructions contain important information for future reference and *must* be given to the customer.

COMPONENTS NOT INCLUDED IN THIS KIT:

Folding Windshield Kit, Rear Window Kit

Not recommended for use without a windscreen.

PARTS LIST:

No.	Part Number	Description	Qty
--	B5H-F17B0-V0	Soft Side Cover Kit	--
①	*	Left Side Cover	1
②	*	Right Side Cover	1
③	*	3mm Rivet Nut	2
④	*	Rivet	24
⑤	*	Snap	24
⑥	**	Snap Stick	1

* Part supplied with kit only and not available separately.

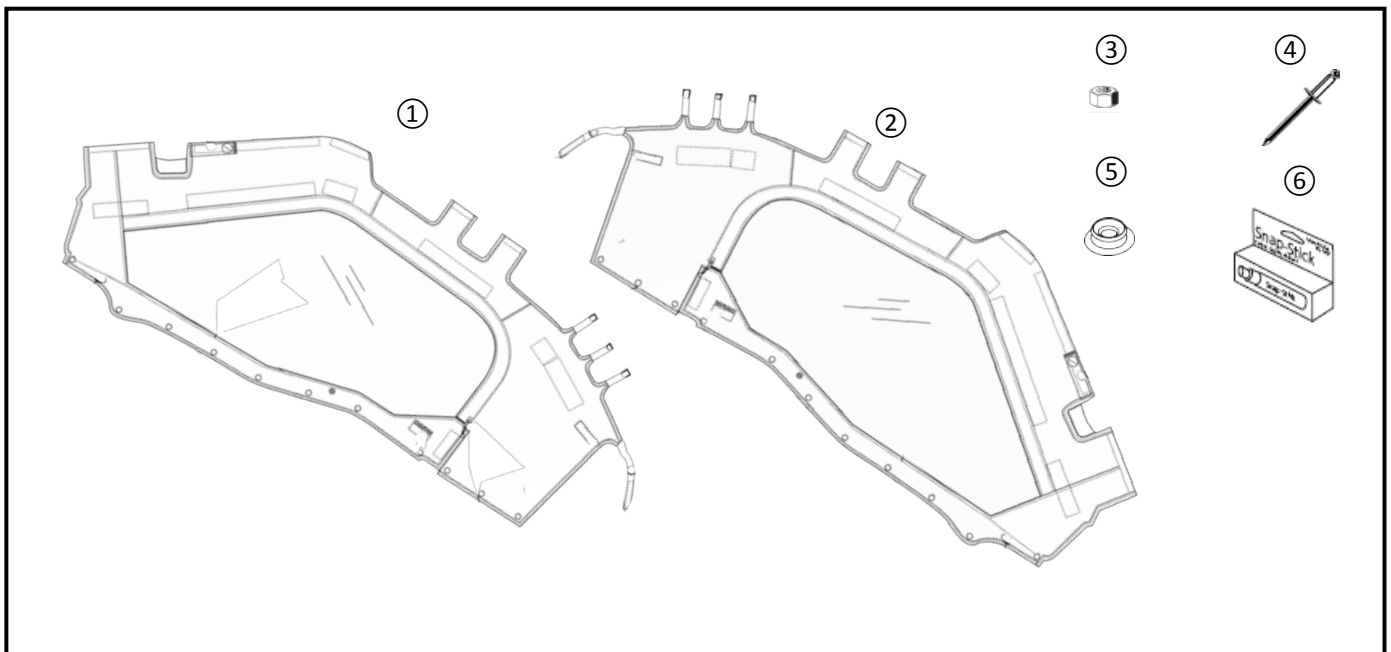
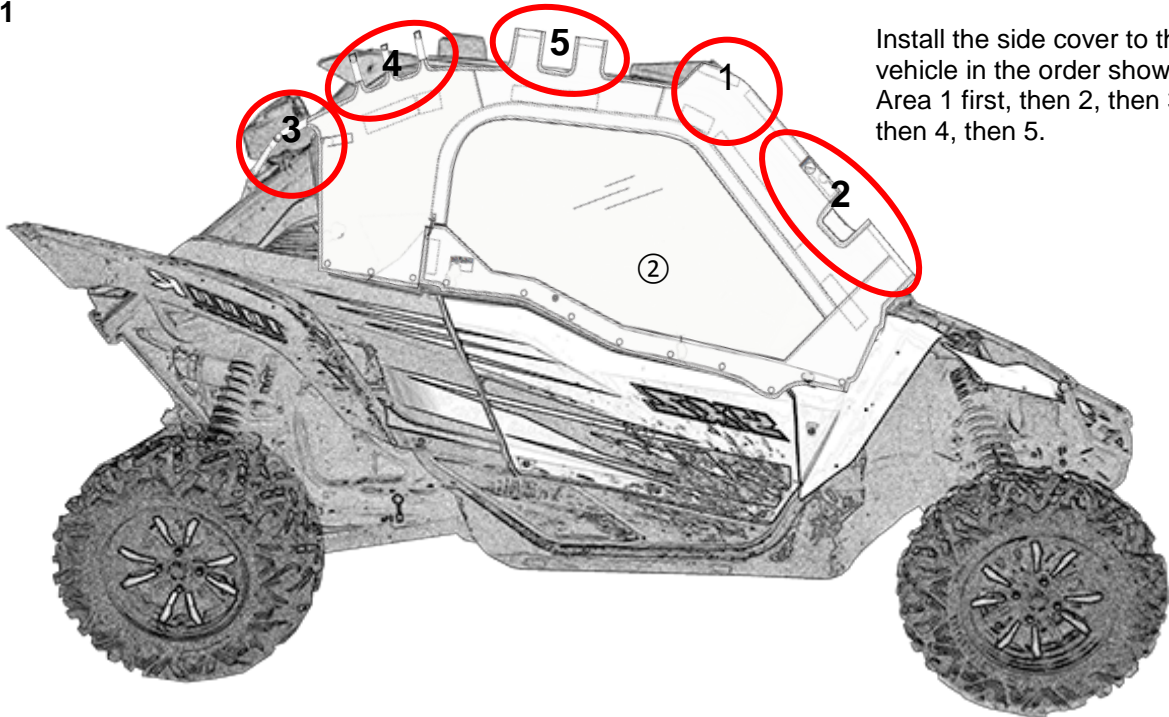
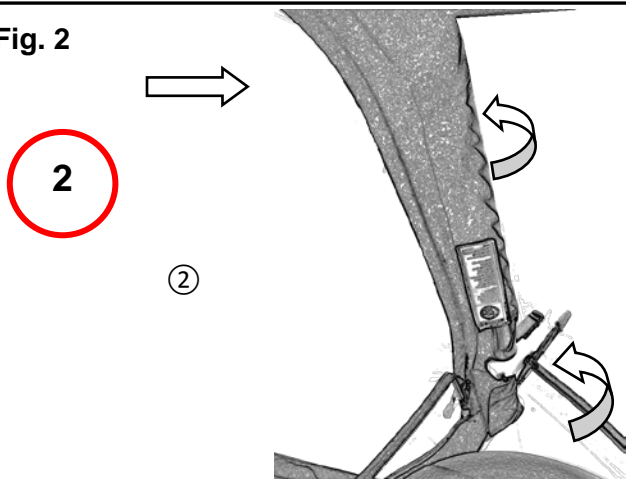


Fig. 1



Install the side cover to the vehicle in the order shown. Area 1 first, then 2, then 3, then 4, then 5.

Fig. 2



PREPARATION:

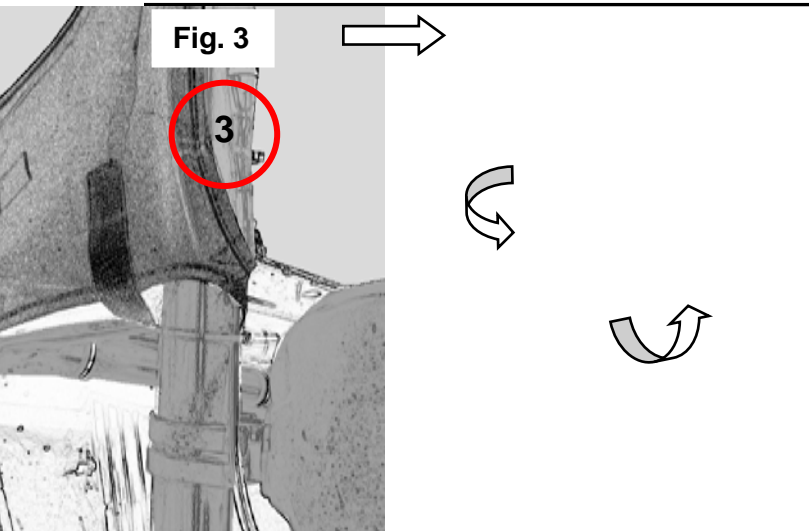
- Place the vehicle on a secure and level surface.
- Set the parking brake.
- Clean the mount surfaces before starting installation.

INSTALLATION:

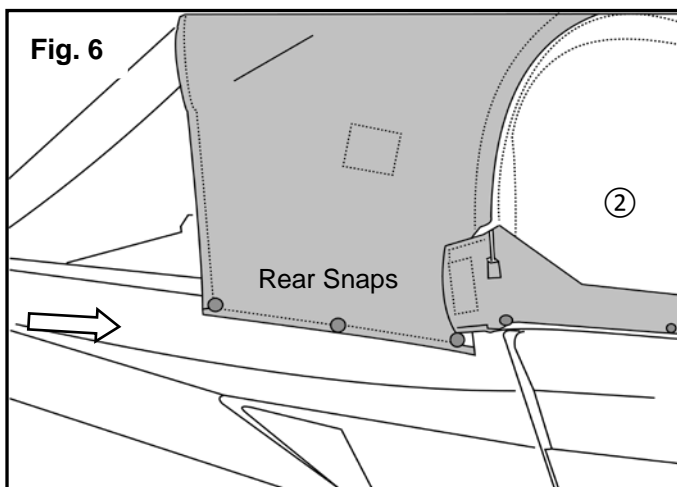
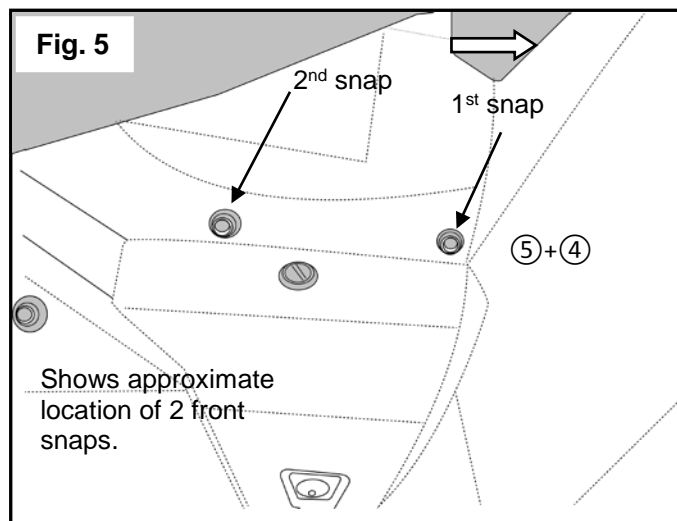
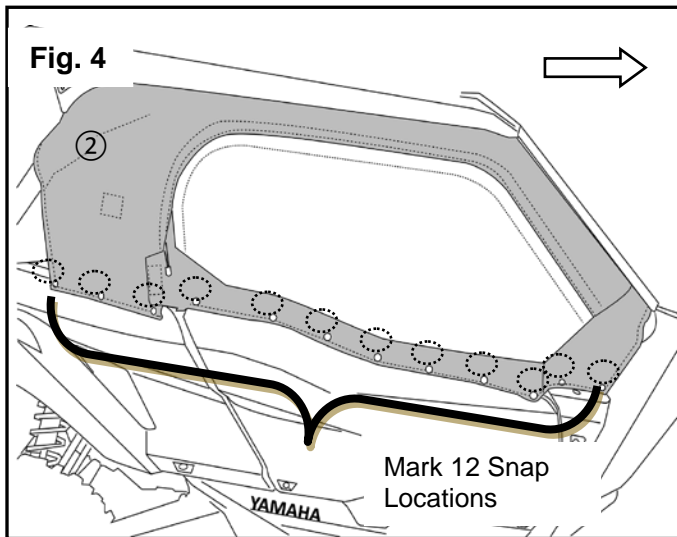
1. Starting on the right side of the vehicle, drape the Right Side Cover ② over the roof tubes. Start by wrapping the hook and loop tab in area 1 around the gusset tube and under the Suntop. Then, move on to area 2.

Note: If the optional glass windscreen is installed, ensure the lower hook and loop tab is wrapped around the ROPS tube below the windscreen clamp as shown in Fig. 2.

Fig. 3



2. At the rear, in area 3, wrap the strap around the vertical tube and then up as shown in Fig. 2.
3. In area 4 of the ROPS tubes, wrap three thin straps around the tube. In the middle area of the ROPS wrap two straps around the ROPS tube in area 5. See Fig. 1.
4. Ensure the Right Side Cover ② is centered on the tube frame and hangs evenly front and rear. Then, check all hook and loop closures are fastened and lie flat.
5. Using very slight tension on the side cover, verify that the locations of each of the 12 Snaps fall in the locations shown in Fig. 4. If necessary, adjust the hook and loop closures to get the snaps in the right location. Before drilling any holes, verify



the snaps line up with the locations shown in Figure 4. Mark the location for the hole closest to the front of the vehicle.

Note: The fabric will relax and wrinkles will disappear a few days after installation.

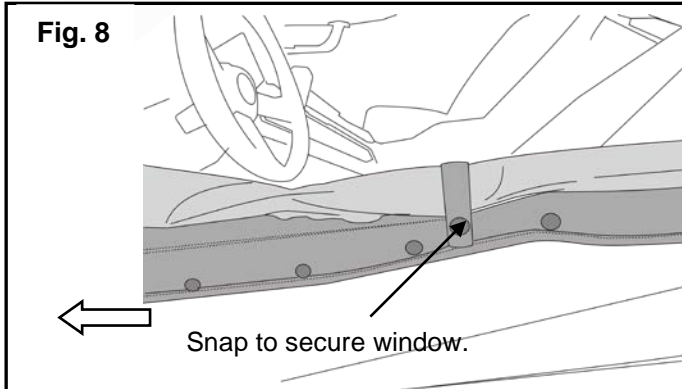
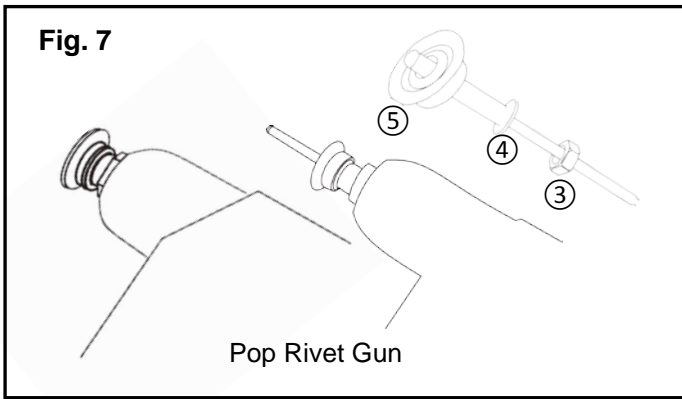
⚠WARNING

Take care to protect the clear plastic surfaces of the side covers from being scratched or damaged.

- Starting at the front of the vehicle, drill out the first snap mount hole with a 3mm drill. Use a tape mark on the drill bit to set the drill depth at 25mm. Take care not to drill too deeply, especially in the locations just in front of the door (see Fig. 4).

Note: Nut ③ is to be used as a spacer if your Rivet Tool nosepiece does not fit inside of the snaps.

- Use a pop rivet tool (not included in this kit) to install the Snap ⑤ on the right side of the vehicle. See Fig. 1, 4, and 5. Follow these steps to install each rivet:
 - Insert Rivet ④ into Snap ⑤,
 - Place 3mm Rivet Nut ③ on Rivet ④.
 - Put Rivet ④ into pop rivet tool, and
 - Insert Rivet into body with tool.
 - Pull the handle on the pop rivet tool to close the Rivet ④ and complete the installation of the Snap ⑤.
 - Apply Shurhold Snap Stick™ to the snap.
- Move to the next snap location and repeat steps 6 and 7 for each of the snaps checking the fit as you work your way toward the rear of the vehicle. Make adjustments as necessary.
- Repeat steps 1 through 8 on the Left side. To secure the windows in an open position, start by rolling the window **towards the outside of the vehicle**, wrap the strap around the rolled window, and snap the strap to secure as shown in Fig. 8.



⚠ WARNING

Do not operate the vehicle with the side and rear windows closed if the Folding Windshield is installed and in the open position. This configuration creates increased pressure inside the vehicle and may damage the rear and/or side windows.

MAINTENANCE:

Periodically, check torque and tightness on hardware and straps. Re-torque or re-tighten any loose hardware. Apply Shurhold Snap Stick™ to the snaps each time the soft side covers are installed. If zippers or snaps become hard to operate, apply Shurhold Snap Stick™ to lubricate the side cover zippers or snaps.

CARE AND CLEANING:

Use a clean soft cloth and mild detergent with warm water to clean the side covers. Rinse and dry. Use Yamaha Windshield & Visor Plastic Cleaner & Conditioner (p/n ACC-PLASP-OL-11) to clean the plastic windows.

CUSTOMER SERVICE:

For further information see your Yamaha dealer.

ESTIMATED TIME TO INSTALL: 0.75 HR